

Mercury

Innovative World-class Model

TP-702

always exceeds your expectations

The Mercury TP-702 is suitable for general purposes application. It can maximize productivity for a variety of applications, including mailroom operations, general carton closure, distribution center, corrugated box packing...and so on.

Mercury TP-702 serves optimum solutions for product securing during transportation.



15F-1, NO. 17, SEC. 1, CHENGDE ROAD,
TAIPEI 103, TAIWAN
TEL: 886 2 2555 2515
FAX: 886 2 2555 2516
WEB: www.transpakcorp.com
E-mail: transpak@transpak.com.tw

Made in Taiwan

09.2010x2000

TP-702 TECHNICAL DATA

Model Number	TP-702-59 (5 mm, 6 mm, 9 mm strap width)	TP-702-12 (12 mm strap width)
Specifications		
Speed Per Minute	65 straps	60 straps
Strap Tension	1 kg to 32 kg	1 kg to 45 kg
Net Weight	157 kg	166 kg
Electrical Requirements	110V, 220V, 230V 50/60Hz 1PH	

Arch Sizes

1.TP-702-59						2.TP-702-12								
H	W	550	650	850	1050	1250	1650	H	W	650	850	1050	1250	1650
400	Ⓢ		✓	✓				400	Ⓢ		✓	✓		
500		✓	✓		✓	✓		500	Ⓢ		✓	✓	✓	
600			✓	✓				600		✓	✓	✓	✓	
800				✓	✓	✓		800		✓	✓	✓	✓	
1000					✓	✓		1000		✓	✓	✓	✓	

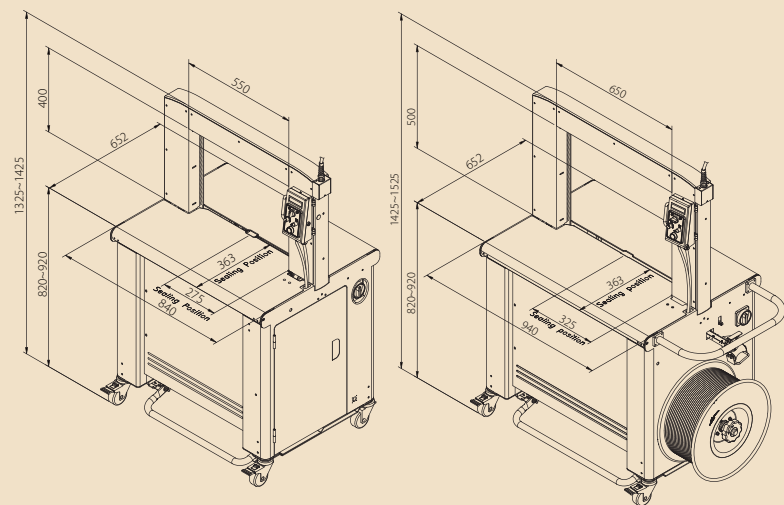
- Ⓢ Standard size : 550 mm (W) x 400 mm (H)
- Ⓢ Standard size : 650 mm (W) x 500 mm (H)

Arch size available with mark ✓



TP-702-59

TP-702-12



All specifications are subject to change without notice.



MERCURY TP-702

always exceeds your expectations

Speed
65 up to straps per minute



Value talks.

Mercury TP-702 is a world-class high-speed automatic strapping machine. The innovative features and superior performance give Mercury TP-702 a voice to speak for itself. It offers you the maximum value with the minimum cost. — So little to pay and yet so much to get.

AUTOMATIC STRAPPING MACHINE

Mercury

Innovative World-class Model

TP-702

Mercury TP-702 is an innovative world-class high-speed automatic strapping machine. It is suitable for 5, 6, 9, and 12mm P.P. strap. It equips with all industry's standard features and several creative user friendly designs. Mercury TP-702 offers the most optimal performance, highest speed, easiest maintenance and the most cost effective solution in its class today.



Main Features



Robust & Compact Mechanical Strapping Head

The Mercury TP-702 uses the latest DC brushless motors technology to provide the highest level of accuracy and reliability on the market. All motors are German-made.

The strapping head has no belts, clutches or pulleys. It is designed with up-to-date technology with few moving parts. With 30% fewer parts, Mercury requires fewer adjustments, has fewer wear components, and requires less maintenance. The simple design of Mercury minimizes the maintenance cost.



Free Access to Strap Guides (patents registered)

Hinged top plate makes easy access to the strapping head for quick maintenance. Unblock the guides enabling free and quick access to the strap guides without use of any tools. The most maintenance-friendly design.



Waist-High Quick Coil Change (patents registered)

Innovative waist-high coil change without access to the bottom of the machine. Quick release lock eliminates downtime to change the coil. Ergonomic and quick change design makes coil change simpler than ever.

More Features

Dispenser Release Switch

Friendly design makes it easier to pull the strap from the strap dispenser for waist-high auto strap feeding.

Sensor Controlled Heater

The fast heating mechanism is sensor controlled assuring consistent and high efficiency seals.

Low Voltage

All DC motors and heater are "stepped down" to 24V to increase the safety of the machine.

Strap End Ejector

Eject end of strap from the inlet of strap feeding. Easier to clean the end of strap and get the machine ready for next coil of strap.

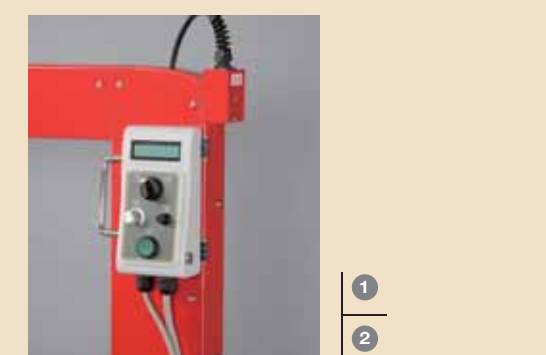
Reliable Strap Chute

Utilizing a highly reliable strap chute. It guarantees that straps are applied at parallel positions.



Waist-High Auto Strap Feeding

Friendly design to feed the strap automatically from the upper side of the coil without the need to access to the bottom of the machine.



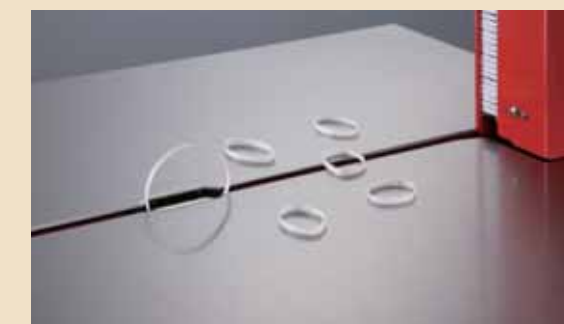
Ergonomic Cycle Initiation

Turnable Operating Control Panel ①

The operating control panel is located on upper side of the machine for easy access. User friendly. Power cord located at the top of arch makes the machine very safe to operate and avoid wire damage while moving the machine.

Front Foot-Bar Switch ②

Ergonomic design and user friendly.



Auto Strap Ejector

Loop-eject clears unwanted strap automatically if the machine is accidentally operated without a package. Eliminate downtime.



Adjustable Table Height

The table height is adjustable to any height between 820 mm and 920 mm.

Options

- Photo-Eye Switch
- Rear Foot Bar Switch
- Max. tension up to 45 kg (for 9mm)
- Stainless Steel Frame (TP-702S)

